



ZONE 1 & 2
ZONE 21 & 22

EXPLOSION PROOF CCTV CAMERA HOUSING WITH WIPER AND FULL HD NETWORK CAMERA



AXH19W-6320



WHEN SAFETY AND PERFORMANCE MATTERS

The ATEX & IECEx certified explosion proof AXH19W-6320 Fixed CCTV IP Camera with Wiper is well suited for video surveillance in hazardous environments, zones 1 & 2 (Gas) and zones 21 & 22 (Dust), as well as in harsh weather conditions (IP68).

FEATURES

- ATEX & IECEx certified
- Stainless Steel 316L construction
- True Day/Night Camera
- 2.4 MP Full HD IP Camera / 1920 x 1080 resolution
- ONVIF Profile S/G compliant
- 32X Optical zoom
- Voltage: 100~240VAC 50/60Hz (Standard) and 24VAC (Optional)
- IP68
- Temperature rating: -40°C ~ +60°C (with defroster)
- Standard supply includes Window Wiper, Sunshield and Receiver

APPLICATIONS

- Offshore Industries
- Land based Industries
- Marine Industries
- Industrial
- Oil & Gas Industries
- Process Industries

The AXH19W-6320 housing is constructed from 316L stainless steel for maximum corrosion protection. The window of the housing is made of 12mm thick tempered glass for extra durability while preserving image quality.

The AXH19W-6320 is fitted with a Samsung 2.4-megapixel Full High Definition, 1920 x 1080 Resolution Day/Night IP Camera with 32X optical zoom. The ONVIF Profile S compliant camera provides multiple video streams and the 32X optical/digital zoom provides optimum field of view in any situation, ensuring high quality images even in harsh weather conditions.

The AXH19W-6320 is equipped with wiper to keep the housing window clean. In instances where dry cleaning alone is not enough to remove stubborn particles, stains or dust from the window, the wiper can be used in conjunction with Avex AXWS10 manually pressurized 10-liter washer system to wash and wipe the window clean.

For easy and accurate positioning of the housing, a wall mount bracket with swivel joint is available as option. Window Wiper, Sunshield and Receiver are standard supply.

Other options available are:

- Thermostatically controlled Windows defroster
- AXE11 Explosion proof Ex d Enclosure/Junction box for cable termination use or to house fiber optics or other equipment.

TECHNICAL DATA

COMPLIANCE

ATEX & IECEx

ATEX certificate no. Presafe 18 ATEX 13083X

IECEx certificate no. IECEx PRE 18.0053X

CE 2776

Ex II 2 G Ex db IIC T6 Gb – Suitable for Gas Zone 1 & 2

Ex II 2 D Ex tb IIIC T80°C Db – Suitable for Dust Zone 21 & 22



Ingress Protection

IP68 (1.2 m, 45 mins)

DIMENSIONS

External 524 (L) x 208 (H) x 179 (W) mm

MECHANICAL

Construction	316L Stainless Steel
Finishing	Polished
Window	Tempered Glass
Window Glass Thickness	12 mm
Window Glass Diameter	70 mm
No. of Cable Entries	2
Cable Entry Size/Thread	M25/1.5
Max. Cable Passthrough Size	15 mm Max
Ex d Cable Glands/Plugs NOT Included	Customer needs to supply and use ATEX/IECEX certified Ex db IIC Gb or/and Ex tb IIC Db IP68 cable gland with sealing compound, in accordance with IEC 60079-0:2011, IEC 60079-1:2014 and IEC 60079-31:2013
Mounting	Wall mount bracket with swivel joint or base mount

ELECTRICAL

Input Voltage	100 ~ 240VAC 50/60Hz (Standard) / 24VAC (Optional)
Input Voltage Range	±10%
Power	15W

COMMUNICATION

RS485
 Protocol: Pelco D (Pelco P only upon request)
 Baud rate: 2400 (other baud rates upon request)

ENVIRONMENT

Air Pressure	80 ~ 120KPa
Temperature	-40°C to +60°C with defroster (-25°C without defroster)
Humidity	≤95%RH (+25°C)

WEIGHTS

Net weight (without bracket)	16 Kg
Net weight (with bracket)	30 Kg

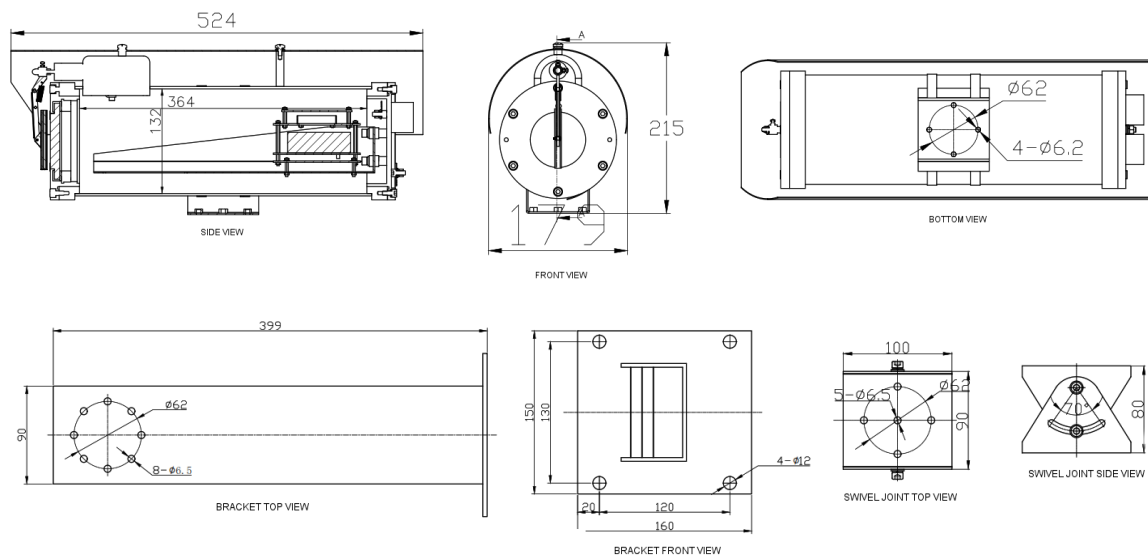
CAMERA

	SAMSUNG	2.4 Megapixel Full HD Network Zoom Camera
Video	Imaging Device	1/2.8" 2.4M CMOS
	Total / Effective Pixels	1981(H) x 1288(V), 2.55M / 1944(H) x 1212(V), 2.35M
	Scanning System	Progressive
	Min. Illumination	Color: 0.05 Lux (1/30 sec, F1.6) / B/W: 0.005 Lux (1/30 sec, F1.6)
	S / N Ratio	50dB
	Video Output	CVBS: 1.0 Vp-p / 75Ω composite, 720 x 480(N), 720 x 576(P), for installation USB: Micro USB type B, 1280 x 720, for installation
Lens	Focal Length	4.44 ~ 142.6mm (Optical 32x)
	Max. Aperture Ratio	F1.6(Wide) / F4.4(Tele)
	Angular Field of View	H: 61.8°(Wide) ~ 2.19°(Tele) / V: 36.2°(Wide) ~ 1.24°(Tele)
	Min. Object Distance	Wide 1.5m (4.92ft), Tele 2m (6.56ft)
	Focus Control	Auto / Manual / One shot AF
	Lens / Mount Type	DC auto iris / Board-in type

Operation	Camera Title	Off / On (Displayed up to 85 characters) - W/W: English / Numeric / Special characters - China: English / Numeric/Special / Chinese characters - Common: Multi-line (Max 5), Color (Grey / Green / Red / Blue / Black / White), Transparency, Auto scale by resolution
	Day & Night	Auto (ICR) / Color / B/W / Schedule
	Backlight Compensation	Off / BLC / HLC / WDR
	Wide Dynamic Range	150dB
	Contrast Enhancement	SSDR (Samsung Super Dynamic Range) (Off / On)
	Digital Noise Reduction	SSNR5 (2D+3D noise filter) (Off / On)
	Digital Image Stabilization	Off / On (Built-in gyro sensor)
	Defog	Off / Auto / Manual
	Motion Detection	Off / On (8ea, polygonal)
	Privacy Masking	Off / On (24 zones of rectangle zone) - Color: Grey / Green / Red / Blue / Black / White - Mosaic
	Gain Control	Off / Low / Middle / High
	White Balance	ATW / AWC / Manual / Indoor / Outdoor (Included Mercury & Sodium)
	Electronic Shutter Speed	Minimum / Maximum / Anti flicker (1 ~ 1/12,000sec)
	Digital Zoom	32x
	Flip / Mirror	Off / On
	Video & Audio Analytics	Tampering, Loitering, Directional detection, Fog detection, Virtual Line, Enter/Exit, Appear/Disappear, Audio detection, Face detection, Motion detection, Sound classification, Shock detection
	Serial Interface	RS-485/RS-422 - Samsung-T, Pelco-D/P, Panasonic, Bosch, AD, GE, Vicon, Honeywell
	Alarm I/O	Input 1ea / Output 2ea (Relay)
	Alarm Triggers	Alarm input, Motion detection, Video & Audio analytics, Network disconnect
	Alarm Events	File upload via FTP and E-Mail, Notification via E-Mail, TCP and HTTP, Local storage (SD/SDHC/SDXC) or NAS recording at alarm triggers, External output, Preset
Audio In	Selectable (Mic In/Line In) Supply voltage: 2.5VDC (4mA), Input impedance: approx. 2K Ohm	
Audio Out	Line out (3.5mm), Max. output level: 1 Vrms	
Pixel counter	Support	
Network	Ethernet	RJ-45 (10/100BASE-T), SFP (100BASE-FX)
	Video Compression Format	H.264 (MPEG-4 Part 10/AVC), H.265, Motion JPEG
	Resolution	1920 x 1080, 1280 x 1024, 1280 x 960, 1280 x 720, 1024 x 768, 800 x 600, 800 x 448, 720 x 576, 720 x 480, 640 x 480, 640 x 360, 320 x 240
	Max. Framerate	H.264 / H.265: Max. 60fps at all resolutions Motion JPEG: Max. 30fps at all resolutions
	Smart Codec	Manual mode (Area-based: 5ea)
	Wise Stream II	Support
	Video Quality Adjustment	H.264 / H.265 / MJPEG: Target bitrate level control
	Bitrate Control Method	H.264 / H.265: CBR or VBR Motion JPEG: VBR
	Streaming Capability	Multiple streaming (Up to 10 profiles)
	Audio Compression Format	G.711 u-law / G.726 selectable G.726 (ADPCM) 8KHz, G.711 8KHz G.726: 16Kbps, 24Kbps, 32Kbps, 40Kbps AAC-LC: 48Kbps at 16KHz
	Audio Communication	Bi-directional (2-Way)
	IP	IPv4, IPv6
	Protocol	TCP/IP, UDP/IP, RTP(UDP), RTP(TCP), RTCP,RTSP, NTP, HTTP, HTTPS, SSL/TLS, DHCP, PPPoE, FTP, SMTP, ICMP, IGMP, SNMPv1/v2c/v3(MIB-2), ARP, DNS, DDNS, QoS, PIM-SM, UPnP, Bonjour

Security	HTTPS (SSL) login authentication, Digest login authentication, IP address filtering, User access log, 802.1X Authentication (EAP-TLS, EAP-LEAP)	
Streaming Method	Unicast / Multicast	
Max. User Access	20 users at Unicast mode	
Edge Storage	Micro SD/SDHC/SDXC 2slot (up to 512 GB) - Continuous recording (1'st slot to 2'nd slot) - Motion Images recorded in the Micro SD/SDHC/SDXC memory card can be downloaded. NAS (Network Attached Storage) Local PC for instant recording	
Application Programming Interface	ONVIF Profile S/G, SUNAPI 2.0 (HTTP API), Wisenet Open Platform	
Webpage Language	English, Korean, Chinese, French, Italian, Spanish, German, Japanese, Russian, Swedish, Portuguese, Czech, Polish, Turkish, Dutch, Hungarian, Greek	
Web Viewer	Supported OS: Windows 7, 8.1, 10, Mac OS X 10.10, 10.11, 10.12 Plug-in Free Webviewer supported browser: Google Chrome, MS Edge, Mozilla Firefox (Windows 64bit only), Apple Safari 10 (Mac OS X only) Plug-in Webviewer supported browser: MS Explorer 11, Apple Safari 10 (Mac OS X only)	
Central Management Software	SmartViewer, SSM	
General	Input Voltage / Current	12VDC \pm 10%, PoE (IEEE 802.3af, class3)
	Power Consumption	Max.6.7W (DC12V), Max.7W (PoE)
	Working temperature	-10°C ~ +55°C (+14°F ~ +131°F) / Less than 90% RH

DIMENSIONS



ORDERING INFORMATION

PART NO	DESCRIPTION
AXH19W-6320	Stainless Steel 316L Explosion proof Fixed Housing with Window Wiper 100/240VAC (optional 24VAC). Pre-installed with 2.4MP True HD Day/Night Network Camera, 32x Zoom, 1920 x 1080 resolution, Receiver and Sunshield. ATEX/IECEX Ex II 2 G Ex db IIC T6 Gb / II 2 D Ex tb IIIC T80°C Db, IP68.

OPTIONAL ACCESSORIES

WD	Thermostatically controlled window defroster (activates at 0 \pm 10°C, Power consumption 15W)
WB19	Stainless Steel 316L Wall mount bracket with swivel joint
AXE11	Explosion proof Ex 'd' Enclosure/Junction box
AXWS10	10 Liter Washer system with Explosion proof solenoid