



ZONE 1 & 2
ZONE 21 & 22

EXPLOSION PROOF STAINLESS STEEL RUGGEDIZED CCTV CAMERA HOUSING



AXH19



WHEN SAFETY AND PERFORMANCE MATTERS

The ATEX & IECEx certified explosion-proof AXH19 Fixed CCTV Camera Housing is well suited for video surveillance in hazardous environments, zones 1 & 2 (Gas) and zones 21 & 22 (Dust) as well as in harsh weather conditions (IP68).

FEATURES

- ATEX & IECEx certified
- Stainless Steel 316L construction
- Suitable for box cameras and lens or motorized zoom cameras
- IP68
- Temperature rating: -40°C ~ +60°C (with defroster)
- Designed for ease of installation and minimal maintenance
- Optional Window Defroster & Wall mount bracket
- Fixed mount – Bracket with swivel joint or Base installation

APPLICATIONS

- Offshore Industries
- Land based Industries
- Marine Industries
- Industrial
- Oil & Gas Industries
- Process Industries

The AXH19 explosion proof CCTV camera housing is constructed from 316L stainless steel for maximum corrosion protection. The window of the housing is made of 12mm thick tempered glass for extra durability while preserving image quality. Sunshield is included as standard.

Wall mount bracket and thermostatically controlled Window Defroster are optional. The optional wall mount bracket is supplied with swivel joint for easy and accurate positioning of the housing.

The AXH19 explosion proof CCTV camera housing can be fitted with a wide range of Analogue and Network box cameras and lens or motorized zoom cameras, making it the perfect choice for almost any application.

Cameras are not included. If required, please contact us.

Other options available are:

- AXE11 Explosion proof Ex d Enclosure/Junction box for cable termination use or to house fiber optics or other equipment.

TECHNICAL DATA

COMPLIANCE

ATEX & IECEx

ATEX certificate no. Presafe 18 ATEX 13083X

IECEX certificate no. IECEx PRE 18.0053X

CE 2776

Ex II 2 G Ex db IIC T6 Gb – Suitable for Gas Zone 1 & 2

Ex II 2 D Ex tb IIIC T80°C Db – Suitable for Dust Zone 21 & 22



Ingress Protection

IP68 (1.2 m, 45 mins)

DIMENSIONS

External	524 (L) x 208 (H) x 179 (W) mm
Internal	364 (L) x \varnothing 132 mm
Internal Camera space	250 (L) x 80 (H) x 80 (W) mm (Max camera + lens size)

MECHANICAL

Construction	316L Stainless Steel
Finishing	Polished
Window	Tempered Glass
Window Glass Thickness	12 mm
Window Glass Diameter	70 mm
No. of Cable Entries	2
Cable Entry Size/Thread	M25/1.5
Max. Cable Passthrough Size	15 mm Max
Ex d Cable Glands/Plugs NOT Included	Customer needs to supply and use ATEX/IECEX certified Ex db IIC Gb or/and Ex tb IIIC Db IP68 cable gland with sealing compound, in accordance with IEC 60079-0:2011, IEC 60079-1:2014 and IEC 60079-31:2013
Mounting method	Wall mount bracket with swivel joint or base mount

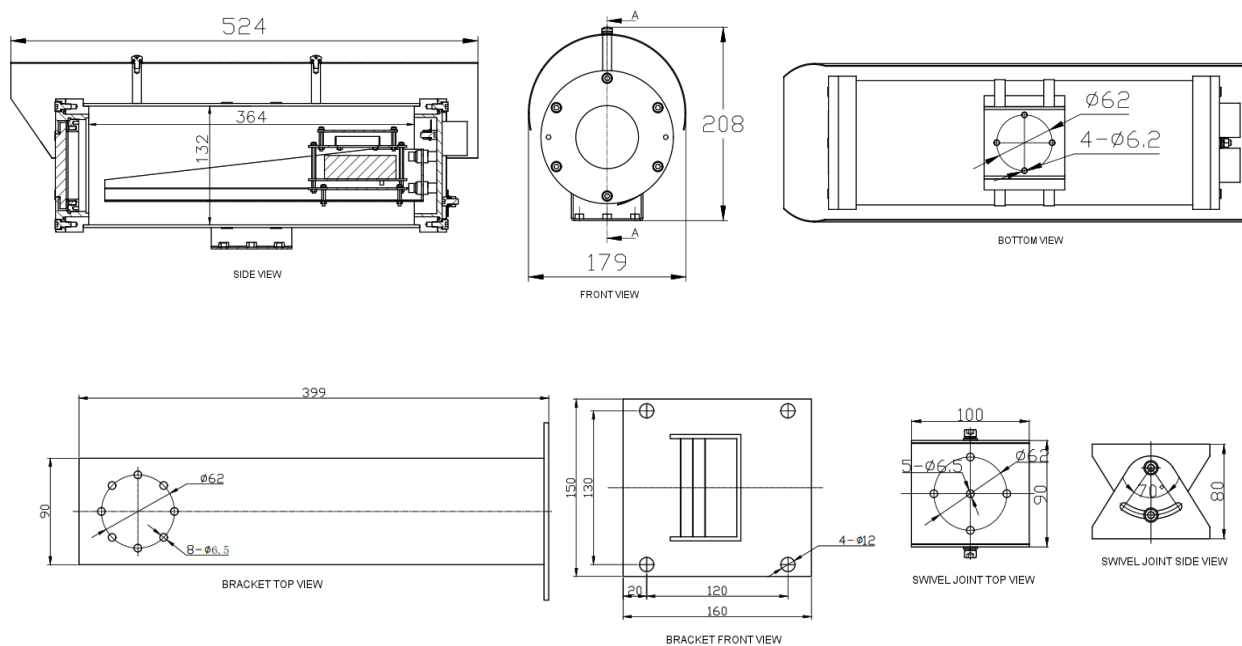
ENVIRONMENT

Air Pressure	80 ~ 120KPa
Temperature	-40°C to +60°C with defroster (-25°C without defroster)
Humidity	≤95%RH (+25°C)


WEIGHTS

Net weight (without bracket)	15 Kg
Net weight (with bracket)	19 Kg

DIMENSIONS



ORDERING INFORMATION

PART NO	DESCRIPTION
AXH19	Stainless Steel 316L Explosion proof Fixed Housing with Tempered Glass Window and Sunshield. ATEX/IECEX  II 2 G Ex db IIC T6 Gb / II 2 D Ex tb IIIC T80°C Db, IP68.
OPTIONAL ACCESSORIES	
WD	Thermostatically controlled window defroster (activates at 0±10°C, Power consumption 15W) 110~230VAC (24VAC optional)
WB19	Stainless Steel 316L Wall mount bracket with swivel joint
AXE11	Explosion proof Ex 'd' Enclosure/Junction box