



ZONE 1 & 2
ZONE 21 & 22

EXPLOSION PROOF STAINLESS STEEL RUGGEDIZED ENCLOSURE/JUNCTION BOX



AXE11-E



FEATURES

- Stainless Steel 316L material
- ATEX & IECEx Certified
- Supplied with 4 x M25 cable entries
- Temperature Rating: -40°C ~ +60°C
- Weather Resistant to IP68
- Designed for ease of installation and minimal maintenance

APPLICATIONS

- Offshore Industries
- Marine Industries
- Oil & Gas Industries
- Industrial Environments
- Manufacturing Industries
- Construction Industries

AVEX CCTV's AXE11-E Explosion proof Stainless Steel Enclosure/Junction Box provides safe and reliable protection for all your electronic equipment in ATEX & IECEx Zones 1 & 2 (Gas) and Zones 21 & 22 (Dust) areas.

WHEN SAFETY AND PERFORMANCE MATTERS

The AXE11-E stainless steel enclosure/junction box is ideal for housing telemetry receivers, IP encoders, fiber optic converters and a wide range of other electronic and communication equipment. The Ex 'd' Flameproof certification of the enclosure makes equipment housed in it suitable for use in ATEX & IECEx Gas Zones 1 & 2 and Dust Zones 21 & 22 hazardous area locations. In addition, the weatherproof protection to IP68 standard, ensures that the AXE11-E is suitable for use in extremely harsh weather conditions.

TECHNICAL DATA

COMPLIANCE

ATEX

ATEX certificate no. Presafe 18 ATEX 13084X

IECEx certificate no. IECEx PRE 18.0054X

CE 2776

Ex II 2 G Ex db IIC T6 Gb – Suitable for Gas Zone 1 & 2

Ex II 2 D Ex tb IIIC T80°C Db – Suitable for Dust Zone 21 & 22



INGRESS PROTECTION

IP 68 (1.2 m, 45 min)

MECHANICAL

Construction	Stainless Steel 316L
Finishing	Polished
Internal size	Ø 230 x 120 mm
No. of Cable Entries	4
Cable Entry Size/Thread	M25/1.5
Max. Cable Passthrough Size	15 mm Max
Ex d Cable Glands/Plugs NOT Included	Customer needs to supply and use ATEX/IECEx certified Ex db IIC Gb or/and Ex tb IIIC Db IP68 cable gland with sealing compound, in accordance with IEC 60079- 0:2011, IEC 60079-1:2014 and IEC 60079-31:2013

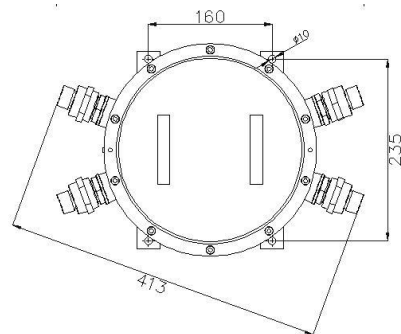
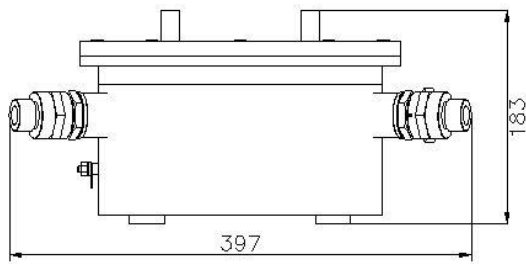
ENVIRONMENT

Air Pressure	80 ~ 110KPa
Temperature	-40°C to +60°C
Humidity	≤95%RH (+25°C) No condensation

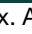
WEIGHTS (UNIT / SHIP)

15 / 17 Kg

EXTERNAL DIMENSIONS



ORDERING INFORMATION

PART NO	DESCRIPTION
AXE11	Stainless Steel 316L Empty Ex-Enclosure/Junction box. ATEX/IECEx  II 2 G Ex db IIC T6 Gb / II 2 D Ex tb IIIC T80°C Db, IP68.