



WHEN SAFETY AND PERFORMANCE MATTERS

AVEX CCTV's ASPD944RW Weatherproof Stainless Steel Network Dome PTZ CCTV Camera with wiper and IR Illuminator provides safe and reliable surveillance in both indoor and outdoor harsh weather conditions.

FEATURES

- Stainless Steel 316L
- 3 MP HD Color Day/Night Camera with 30X zoom
- Up to 2048 x 1536 resolution
- LED IR Illuminator up to 100 meters
- 100~240VAC 50/60Hz
- Pan Rotation: 360° Continuous
- Tilt Rotation: 0°~ + 90°
- Pan / Tilt Speed: 0.1°/s ~ 30°/s
- IP68 & NEMA 6 & 6P Standards
- Temperature rating: -40°C ~ +60°C
- Supplied with wall mount bracket
- Designed for ease of installation and minimal maintenance

APPLICATIONS

- Offshore Industries
- Marine Industries
- Oil & Gas Industries
- Industrial Environments
- Manufacturing Industries
- Construction Industries

TECHNICAL DATA

CAMERA

Image Device	Hikvision 3 Megapixel High Definition Day/Night Camera
Sensor Type	1/2.8" Progressive Scan CMOS
Signal System	PAL / NTSC
Day/Night conversion mode	ICR infrared filter type
Minimum Illumination	Color 0.05lux@1.6
Signal to noise ratio	Greater than 52dB
Electronic shutter	1/1 second ~ 1/30,000 seconds
Optical zoom	30 times
Digital zoom	12 times
Resolution	50HZ: 25fps (2048 x 1536) 60HZ: 30fps (2048 x 1536) 50HZ: 25fps (1920 x 1080) 60HZ: 30fps (1920 x 1080) 50HZ: 25fps (1280 x 960) 60HZ: 30fps (1280 x 960) 50HZ: 25fps (1280 x 720) 60HZ: 30fps (1280 x 720)
3D noise reduction	Support
Focal length	4.3 - 129mm, 30 times optical zoom
Aperture	F1.6 - F4.4
Horizontal viewing angle	58.9 - 2.11 degrees (wide angle - telephoto)
Close-up distance	10 - 1500mm (wide angle - telephoto)
Zoom speed	about 3 seconds (optical, wide-angle - telephoto)

MECHANICAL

Construction	316L Stainless Steel
Finishing	Polished
Ingress Protection	IP68
Window	Tempered Glass
Window Glass Thickness	10 mm
Pan	360° Continuous Pan Rotation
Tilt	-0° ~ 90°
Pan / Tilt Speed	0.1°/s ~ 30°/s

ELECTRICAL

Input Voltage	100~240VAC 50/60Hz
Power	75W
Electrical Connection	Composite cable

COMMUNICATION

Network Interface	1 x RJ45, support 10M/100M/1000M
Image Compression	H.264 main profile / MJPEG
Audio Compression	G.722.1 / G.711-a law / G7.11-u law / MP2L2 / G.726
3D Positioning	Support
Voice Intercom	Support
Stream	Support 3 streams
Network Protocol	IPv4 / IPv6, HTTP, HTTPS, 802.1x, Qos, FTP, SMTP, UPnP, SNMP
Time Display	Support
Standard	ONVIF, CGI, GB/T28181, PISA
IE Browser	Support IE7 and above, Google, Firefox, Apple
Security	Password protection, Multiple access control
Preset position	256 positions

FEATURES

Cruise Scan	Support
Keep Watch	Support
Resume function	Support
Auto Cruise	Support
Auto Pattern	Support
Auto Scan	Support
Alarm Input	2-channel / 7-channel
Alarm Output	1-channel, action with alarm
Intelligent Alarm	Audio detect, move detect, video shield, network interrupt, IP address conflict, storage full, storage error, illegal access

LED IR ILLUMINATOR

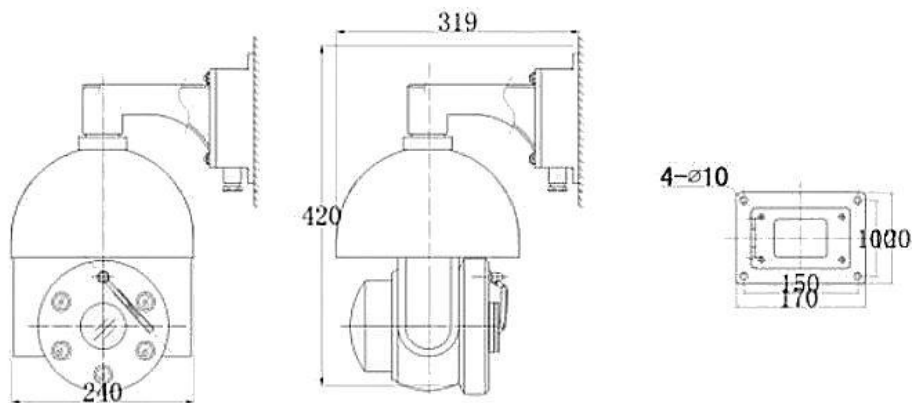
Projection Distance	100 Meters
Projection Angle	30°
Wavelength	850nm
Control Method	Auto
Power Consumption	15W

ENVIRONMENT

Air Pressure	86 ~ 106KPa
Temperature	-40°C to +60°C
Humidity	≤95%RH (+25°C)

WEIGHT & DIMENSION

Net weight	26kg with bracket
Dimension	320 x 240 x 420mm

DIMENSIONS**ORDERING INFORMATION**

PART NO	DESCRIPTION
ASPD944RW	Weatherproof IP68 Stainless Steel 316L High Speed 3MP True HD Color Day/Night Network Dome PTZ Camera, 30X, 2048 x 1536 resolution, Wiper, IR Illuminator (100m), 100~240VAC & Wall mount bracket

NOTE: All units are supplied with 3 meters of non-armored composite cable pigtail