



ADPTZ-7248 STAINLESS STEEL WEATHER RESISTANT HIGH SPEED DOME PTZ CAMERA STATION

FEATURES

- Stainless Steel 304 or 316L with electro-polish finish
- Choice of 18X, 23X, 26X, 35X & 36X Sony/Hitachi Zoom Camera modules
- All-In-One - Receiver, Pan/Tilt, Enclosure & Optics Package (IOP) & Auto-Heater (Optional)
- Pelco D / P Protocol
- Weather Resistant to IP66 & Nema 4X Standards
- Pan Rotation : 360° Continuous
- Tilt Rotation : Unobstructed 0° ~ 90°
- Pan Speed : 0.1°/S ~ 300°/S
- Tilt Speed : 0.1°/S ~ 120°/S
- Presets : 128
- Cable Management Brackets
- Multiple Language options
- Advanced OSD Menu
- Alarm inputs/outputs
- Various scanning options
- Intelligent system with many features

WHEN SAFETY AND PERFORMANCE MATTERS

AVEX CCTV's ADPTZ-7248 Weatherproof Stainless Steel Dome PTZ Camera Station provides safe and reliable surveillance in both indoor and outdoor harsh weather conditions.



APPLICATIONS

The ADPTZ-7248 is designed for use in both indoor safe area and outdoor locations where harsh weather conditions are a concern:

- | | |
|---|---|
| <ul style="list-style-type: none"> • Transit Authorities • Swimming Pools • Ships • Amusement Parks • Parking Garages • Mines • Cement Plants • Plant Entry Gates • Airports | <ul style="list-style-type: none"> • Highways • Universities • Pulp & Paper Mills • Docksides • Sewage Plants • Construction Sites • Warehouses • Greenhouses • Food Processing Facilities |
|---|---|

PRODUCT BRIEF

The ADPTZ-7248 is an improved and innovative weatherproof stainless steel Dome PTZ camera station which combines pan/tilt, enclosure, telemetry receiver, camera and auto-heater into one fully integrated easy to install and maintain unit.

Standard supply of the ADPTZ-7248 includes one 23 core composite cable of 0.8 meters length (other lengths available upon request). The ADPTZ-7248 incorporates both Pelco D & P protocols and various baud rates for easy integration with most controllers. The camera station can be either wall or pendant mounted with optional brackets.

Avex pursues a policy of continuous improvement therefore specifications are subject to change without prior notice. E&OE. © 2011 AVEX CCTV Pte Ltd.

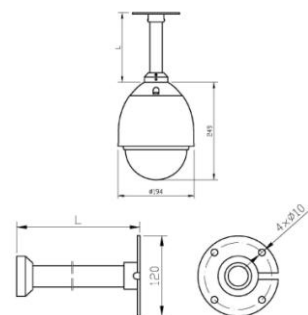
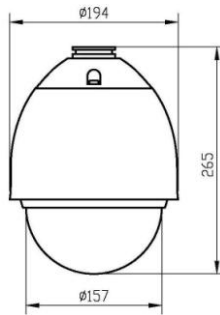
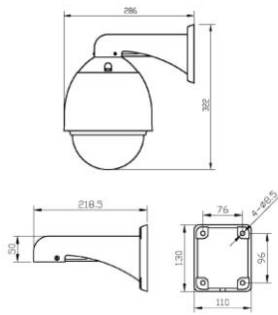
SINGAPORE – HEAD OFFICE

Northstar @ AMK, 7030 Ang Mo Kio Ave. 5, #06-48, Singapore 569880

Tel : (65) 6288 2278 - Fax : (65) 6288 2621

Email : sales@avexcctv.com - Web : <http://www.avexcctv.com>

WORLDWIDE DISTRIBUTION – Contact us for a list of representatives in your area



COMPLIANCE

IP 66 / Nema 4X

ELECTRICAL

Input Voltage	24 VAC, 50/60 Hz (110 or 230 VAC power adapter provided)
Power (Indoor/Outdoor)	35W
Electrical Connection	23 core Composite cable 6 core Composite cable if alarm functions are not required

GENERAL

Construction / Finish	Stainless Steel 304 or 316L with electro-polish finish
Unit Weight	3.1kg (Bracket excluded)

FEATURES

Scanning speed	Adjustable scanning speed
Auto horizontal scan	Intelligent scan
Mask zone	8 programmable zone
Account management	Account authorization
Auto power ON/OFF	Yes
Status display	Camera name, lens speed, preset, camera position, time, temperature, zone, alarm indication, scanning
Video auto reverse	Video can be reversed in the position of tilt 90°
3-D Tour	Random speed available and real control of tilt track
Vector tour track	6 vectors, including scan speed, stay time, Preset
Programmable track	3 PTZ instructions, 120 seconds for each
Alarm functions	8 groups alarm in / 2 groups alarm out
Task plan	8 task plans, operation model and functions settings
Other functions	Image freeze, function memory after power off, Auto awakening of tour functions and crosshair

MECHANICAL

Pan	360° Continuous Pan Rotation
Pan Speed	0.1°/S ~ 300°/S
Tilt Speed	0.1°/S ~ 120°/S
Tilt	-0° ~ 90°
Accuracy	±0.1°
Presets	128
ID Range	0 ~ 255
Protocol	Pelco D / P (Other protocols upon request)
Temperature	-30°C ~ +60°C
Air Pressure	86 ~ 106KPa
Temperature	-40°C to +60°C
Humidity	≤95%RH (+25°C)
Auto-Heater	(Activates at 5°C & Off at 15°C)

CAMERA OPTIONS

Sony or Hitachi 18X, 23X, 26X, 35X, 36X Block Cameras

WARRANTY

Standard 12 months warranty. For extended warranty, please contact us.

ORDERING INFORMATION

ADPTZ7248 - 316 - 23X - N - WB72 - 23CS10

MATERIAL	CODE
304 Stainless Steel	304
316L Stainless Steel	316

CAMERA	CODE
18X Optical	18X
23X Optical	23X
26X Optical	26X
35X Optical	35X
36X Optical	36X

HEATER	CODE
None	N
Auto Heater	AH

CABLE LEAD	CODE
0.8 Mtrs 23 Core Composite Cable supplied with unit	N
23 Core 10 Meters	23CS10
23 Core 20 Meters	23CS20
23 Core 30 Meters	23CS30
6 Core 10 Meters*	6CS10
6 Core 20 Meters*	6CS20
6 Core 30 Meters*	6CS30

MOUNTING BRACKET	CODE
None	N
Wall Bracket	WB72
Pendant Bracket	PB72

*NOTE: 6 Core composite cable can be used ONLY if Alarm functions are not required.